

AIR RELEASE & VACUUM BREAKER VALVE

KSBJ TYPE



Benefits

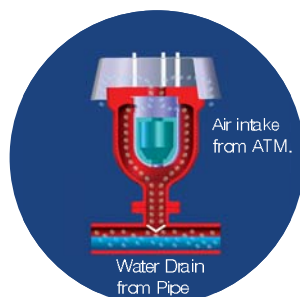
- Pressure & Vacuum relief function
- Anti-Surge & Anti-Shocks
- Surge and Waterhammer Protection
- Liquid Overflow Protection
- Release air pocket from pipeline
- Increasing of pump efficiency
- Less system energy
- Maintenance free

Introduction

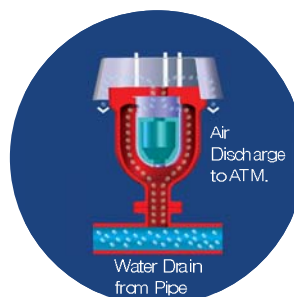
Air release valve are designed to release accumulated air pockets from the system, while pressured pipelines. Air pockets increase energy consumption because pumping operation will be at higher water heads to overcome pressured air.

Air release valves are have function to protect high shock and surge pressure, water hammer and liquid overflow from fresh or sea water pipelines.

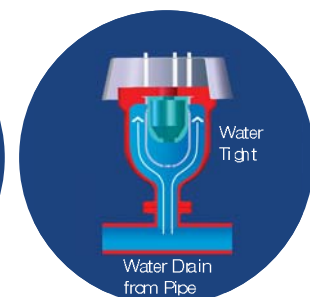
KSBJ air release valve can provide low cast insurance to protect expensive maintenance cost of pipelines and pump systems.



Activation 1
Vacuum Relief



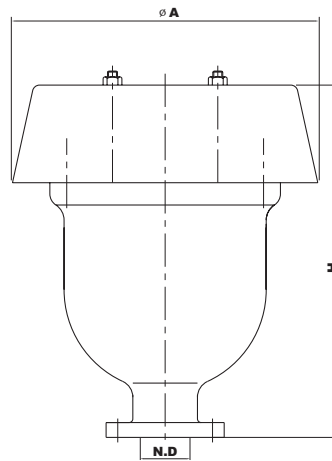
Activation 2
Pressure Relief



Activation 3
Liquid Overflow Protection

AIR RELEASE & VACUUM BREAKER VALVE

KSBJ TYPE



Dimension Table										Unit = mm
Size	1	1 1/2"	2"	3"	4"	6"	8"	10"	12"	Other Size
N.D	25	40	50	80	100	150	200	250	300	Available on request
øA	210	230	285	345	410	500	650	750	900	
H	300	340	400	450	550	710	850	1000	1200	

Note: Standard flange connection is JIS 5K and others are available on request.

Materials of Construction				
No.	Description	Material		
		Spec. 1	Spec. 2	Spec. 3
1	Body	Cast Iron	Bronze	Stainless Steel
2	Cover	Steel	Bronze	Stainless Steel
3	Guide	Bronze	Bronze	Stainless Steel
4	Float	Stainless Steel	Stainless Steel	Stainless Steel
5	Hood	Steel	Stainless Steel	Stainless Steel