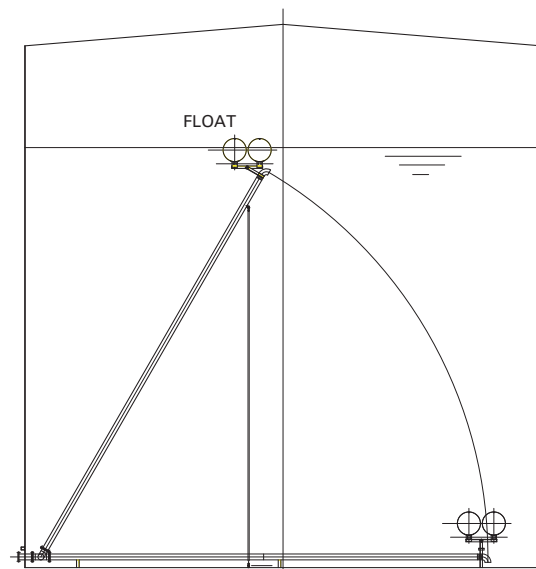


FLOATING SUCTION & ROOF DRAIN Section 5.1

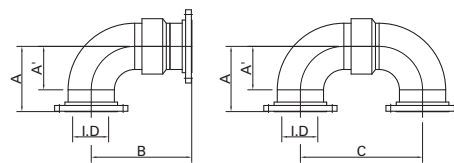
FLOATING SUCTION

INTRODUCTION FOR FLOATING SUCTION

This swivel joint is used for air, oil, water, gas and other chemical products, The big inch medium pressure steel swivel joint incorporates a widely spaced. Precision-machined and hardened dual ball raceway that provides extra moment load capabilities.



FLOATING SUCTION ASSEMBLY



Standard Specification

Type	Flange type	
Size	2" - 36"	
C connection	ANSI 150LB	
Material	Swivel Joint	Cast Steel
	Float	304 S.S
Working press	Max. 10kg/cm ²	
Temperature	Max. 100 °C	
Packing	100 °C NBR PACKING, 230 °C - TFE PACKING	

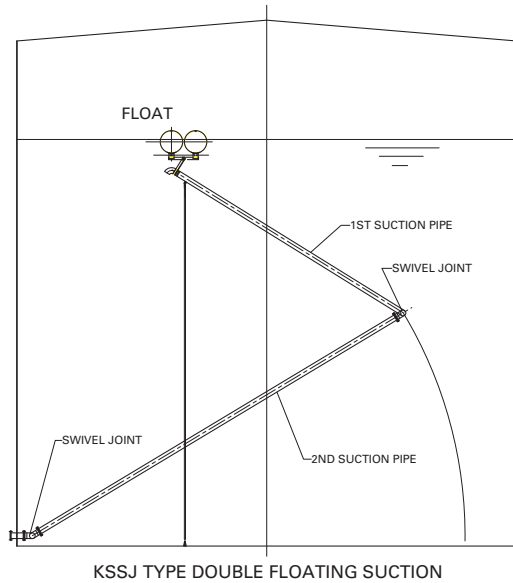
Dimension Table

	Unit = mm						
SIZE	2"	4"	6"	8"	10"	12"	16"
ID	50	100	150	200	250	300	350
A	150	175	228	278	330	380	480
A'	76.2	101.6	152.4	203.2	254.0	304.8	406.4
B	290	296	386	428	446	510	610
C	292	324	362	556	625	740	942

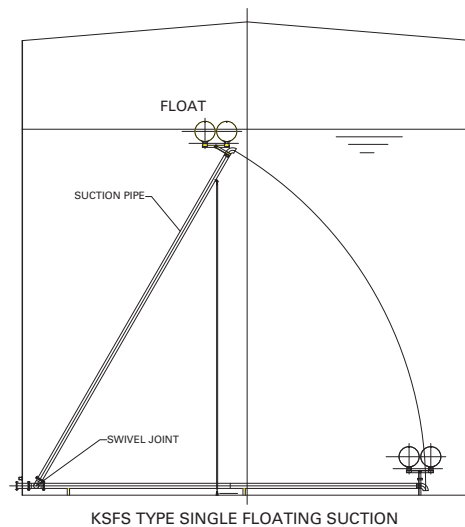
FLOATING SUCTION & ROOF DRAIN Section 5.1

FLOATING SUCTION

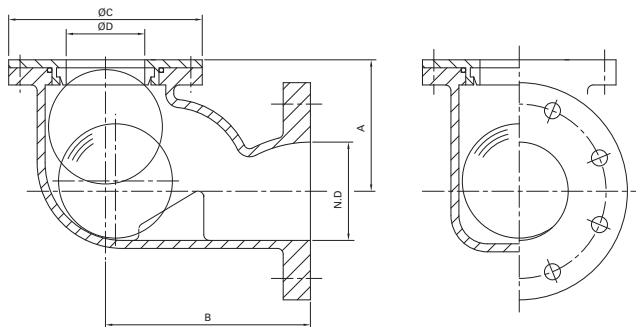
KSSJ TYPE SINGLE FLOATING SUCTION



KSFS TYPE DOUBLE FLOATING SUCTION



KSFC TYPE FLOATING ROOF DRAIN CHECK VALVE



Connections

Standard : ANSI 150LB
Available other connections in requested

Materials

CARBON STEEL

Dimension Table

Unit = mm

SIZE	3"	4"	6"	8"
N.D	80	100	150	200
A	115	115	160	250
B	180	200	250	300
C	170	190	265	315
D	80	100	160	200